

Features

- JEDEC Standard 168-pin SDRAM DIMM
- Low Latency 166 MHz Modules (2:2:2)
 - CAS Latency = 2
 - RAS to CAS Delay = 2
 - Precharge Delay = 2
- Sustained Random Burst Reads (same bank access)
 - 1-1-1-1 at 66MHz (CL = 1)
 - 2-1-1-1 at 166MHz (CL = 2)
- Early Auto-Precharge and Pipelined Row Activation
- Hidden Auto-Refresh (4K, 64ms)
- Fully Synchronous Operation
- On-board Serial Presence Detect (SPD)
- Unbuffered 168-pin DIMM
- Single 3.3V ± 0.3V Power Supply
- Low Profile for IU Rack Mount Systems

Description

The Enhanced SDRAM (ESDRAM) DIMMs are low latency, high performance memory modules of 32, 64, and 128 MByte capacities, and are organized x64 or x72 bits wide. These DIMMs are 100% pin, function, and timing compatible with JEDEC standard 168-pin SDRAM DIMMs. The 32 MByte and 64 MByte DIMMs employ a single physical bank of memory while the 128 MByte DIMMs are built as two physical banks. Within each physical bank of memory are four logical banks, which are accessed through the use of BA0 and BA1 (pins 122 and 39). All control, access, and data input signals are registered into each of the ESDRAM components through use of an external clock, CK0-CK3.

ESDRAM DIMMs provide pipeline burst SRAM performance up to 66 MHz and nearly the same at bus speeds up to 166 MHz. This performance is achieved using JEDEC superset features including early auto-precharge and pipelined row activation. The ESDRAM also supports hidden auto-refresh.

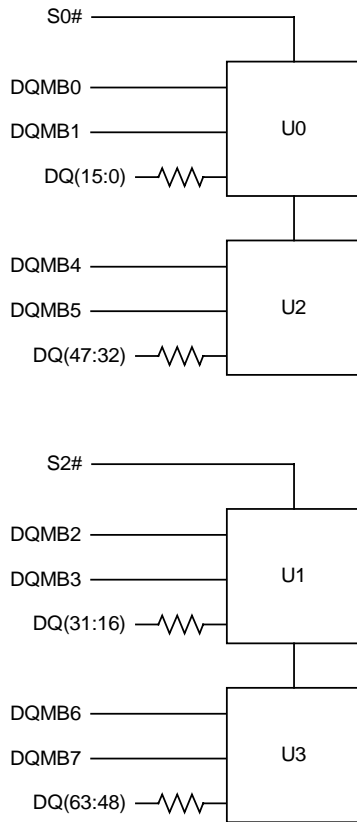
All ESDRAM DIMMs operate from a 3.3V power supply, and all inputs and outputs are LVTTL compatible. The DIMM has a low 1.15-inch height to support IU rack mount system requirements. See the ESDRAM component data sheet for a more detailed discussion of ESDRAM specifications and functional operation.

Pin	Symbol	Pin	Symbol	Pin	Symbol	Pin	Symbol
1	Vss	43	Vss	85	Vss	127	Vss
2	DQ0	44	DNU	86	DQ32	128	CKE0
3	DQ1	45	S2#	87	DQ33	129	S3#
4	DQ2	46	DQMB2	88	DQ34	130	DQMB6
5	DQ3	47	DQMB3	89	DQ35	131	DQMB7
6	Vdd	48	DNU	90	Vdd	132	RFU
7	DQ4	49	Vdd	91	DQ36	133	Vdd
8	DQ5	50	NC	92	DQ37	134	NC
9	DQ6	51	NC	93	DQ38	135	NC
10	DQ7	52	CB2	94	DQ39	136	CB6
11	DQ8	53	CB3	95	DQ40	137	CB7
12	Vss	54	Vss	96	Vss	138	Vss
13	DQ9	55	DQ16	97	DQ41	139	DQ48
14	DQ10	56	DQ17	98	DQ42	140	DQ49
15	DQ11	57	DQ18	99	DQ43	141	DQ50
16	DQ12	58	DQ19	100	DQ44	142	DQ51
17	DQ13	59	Vdd	101	DQ45	143	Vdd
18	Vdd	60	DQ20	102	Vdd	144	DQ52
19	DQ14	61	NC	103	DQ46	145	NC
20	DQ15	62	NC	104	DQ47	146	NC
21	CB0	63	CKE1	105	CB4	147	NC
22	CB1	64	Vss	106	CB5	148	Vss
23	Vss	65	DQ21	107	Vss	149	DQ53
24	NC	66	DQ22	108	NC	150	DQ54
25	NC	67	DQ23	109	NC	151	DQ55
26	Vdd	68	Vss	110	Vdd	152	Vss
27	WE#	69	DQ24	111	CAS#	153	DQ56
28	DQMB0	70	DQ25	112	DQMB4	154	DQ57
29	DQMB1	71	DQ26	113	DQMB5	155	DQ58
30	S0#	72	DQ27	114	S1#	156	DQ59
31	DNU	73	Vdd	115	RAS#	157	Vdd
32	Vss	74	DQ28	116	Vss	158	DQ60
33	A0	75	DQ29	117	A1	159	DQ61
34	A2	76	DQ30	118	A3	160	DQ62
35	A4	77	DQ31	119	A5	161	DQ63
36	A6	78	Vss	120	A7	162	Vss
37	A8	79	CK2	121	A9	163	CK3
38	A10/AP	80	NC	122	BA0	164	NC
39	BA1	81	WP	123	A11	165	SA0
40	Vdd	82	SDA	124	Vdd	166	SA1
41	Vdd	83	SCL	125	CK1	167	SA2
42	CK0	84	Vdd	126	RFU	168	Vdd

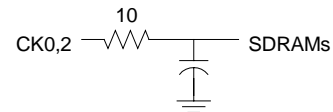
Pin Descriptions

Symbol	Type	Function
CK(0:3)	Input	Clocks: All SDRAM input signals are sampled on the positive edge of CK.
CKE(0:1)	Input	Clock Enables: CKE activate (high) or deactivate (low) the CK signals. Deactivating the clock initiates the Power-Down and Self-Refresh operations (all banks idle), or Clock Suspend operation. CKE is synchronous until the device enters Power-Down and Self-Refresh modes where it is asynchronous until the mode is exited.
S(0:3)#	Input	Chip Select: S# enables (low) or disables (high) the command decoder. When the command decoder is disabled, new commands are ignored but previous operations continue.
RAS#, CAS#, WE#	Input	Command Inputs: Sampled on the rising edge of CK, these inputs define the command to be executed.
BA(0:1)	Input	Bank Addresses: These inputs define to which of the 4 banks a given command is being applied.
A(0:11)	Input	Address Inputs: A0-A11 define the row address during the Bank Activate command. A0-A8 define the column address during Read and Write commands. A10/AP invokes the Auto-precharge operation. During manual Precharge commands, A10/AP low specifies a single bank precharge while A10/AP high precharges all banks. The address inputs are also used to program the Mode Register.
DQ(0:63)	Input/Output	Data I/O: Data bus inputs and outputs. For Write cycles, input data is applied to these pins and must be set-up and held relative to the rising edge of clock. For Read cycles, the device drives output data on these pins after the CAS latency is satisfied.
DQMB(0:7)	Input	Data I/O Mask Inputs: DQMB0-7 inputs mask write data (zero latency) and acts as a synchronous output enable (2-cycle latency) for read data.
CB(0:7)	Input/Output	ECC Check Bits
V _{DD}	Supply	Power Supply: +3.3 V
V _{SS}	Supply	Ground
SDA	Input/Output	Serial Presence-Detect Data: SDA is a bi-directional pin used to transfer addresses and data into and data out of the presence-detect portion of the module.
SCL	Input	Serial Clock for Presence-Detect: SCL is used to synchronize the presence detect data transfer to and from the module
SA(0:2)	Input	Presence-Detect Address Inputs: These pins are used to configure the presence detect device.
WP	Input	Serial Presence Detect Write Protect: Active high inhibits writes to the SPD EEPROM. WP must be driven low for normal read/write operations.
RFU	-	Reserved for Future Use: These pins should be left unconnected.
DNU	-	Do not use.
NC	-	No connect - open pin.

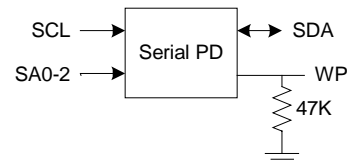
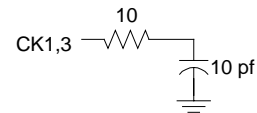
32MB DIMM Functional Block Diagram – SM4M64ALDT



Clock Wiring	
CK0	2 SDRAM+15 pf
CK1	Termination
CK2	2 SDRAM+15 pf
CK3	Termination



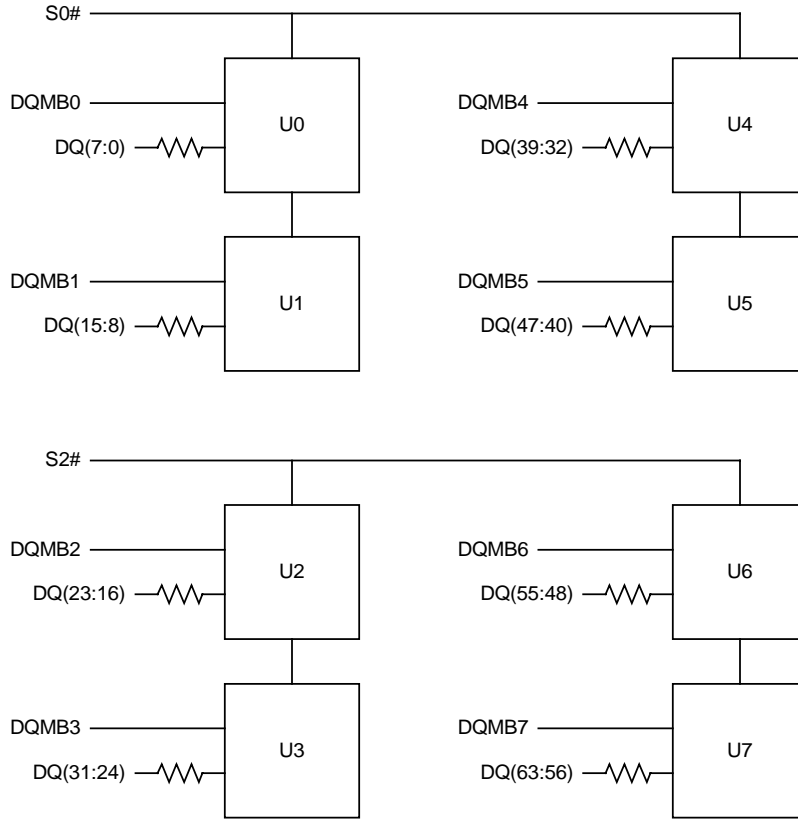
Clock Termination



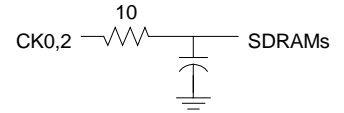
- BA0 → BA0 SDRAM U0-3
- BA1 → BA1 SDRAM U0-3
- A0-A11 → A0-A11 SDRAM U0-3
- Vdd → Vdd SDRAM U0-3
- Vss → Vss SDRAM U0-3
- RAS# → RAS# SDRAM U0-3
- CAS# → CAS# SDRAM U0-3
- WE# → WE# SDRAM U0-3
- CKE0 → CKE0 SDRAM U0-3

Note:
All DQ resistor values are 10 ohms.
All CK resistor values are 10 ohms.
U0-U3 are SM2604T.

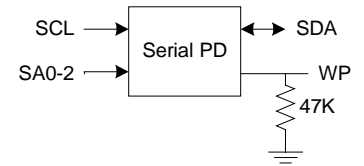
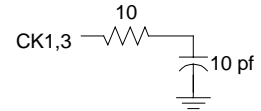
64MB DIMM Functional Block Diagram – SM8M64ALDT



Clock Wiring	
CK0	4 SDRAM+3.3 pf Termination
CK1	Termination
CK2	4 SDRAM+3.3 pf Termination
CK3	Termination



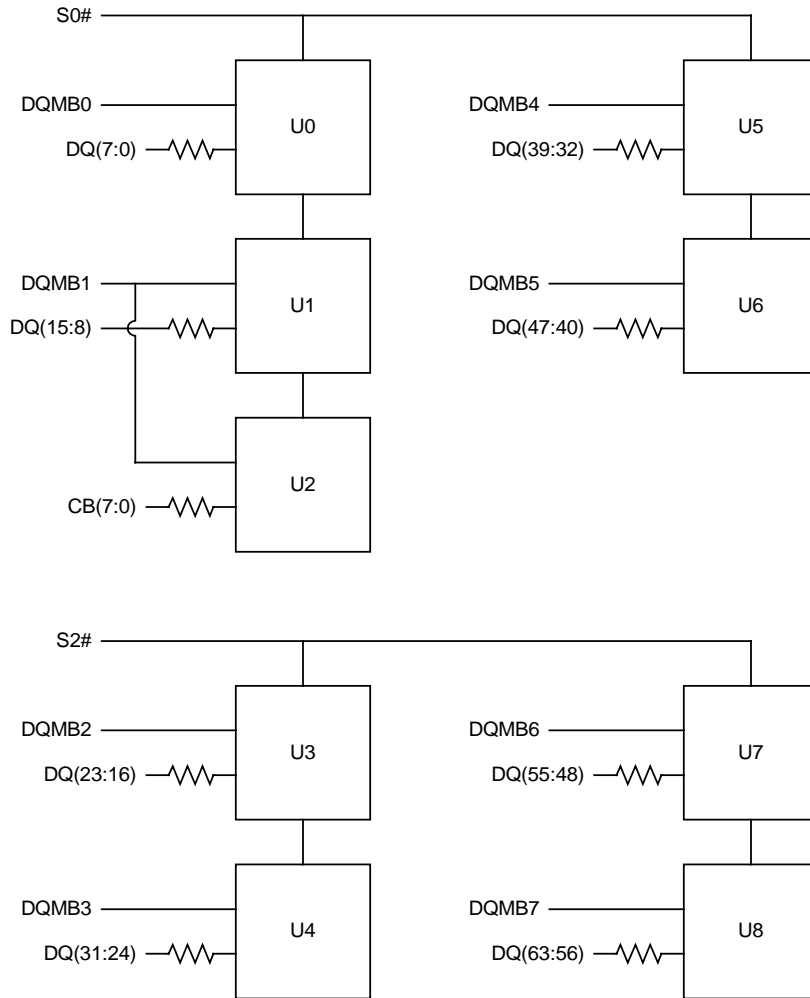
Clock Termination



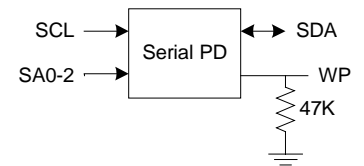
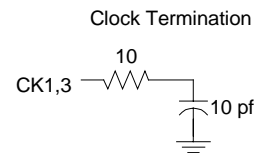
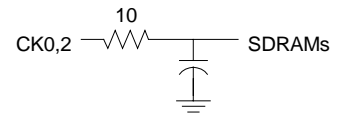
- BA0 → BA0 SDRAM U0-7
- BA1 → BA1 SDRAM U0-7
- A0-A11 → A0-A11 SDRAM U0-7
- Vdd → Vdd SDRAM U0-7
- Vss → Vss SDRAM U0-7
- RAS# → RAS# SDRAM U0-7
- CAS# → CAS# SDRAM U0-7
- WE# → WE# SDRAM U0-7
- CKE0 → CKE SDRAM U0-7

Note:
All DQ resistor values are 10 ohms.
All CK resistor values are 10 ohms.
U0-U7 are SM2603T.

64MB ECC DIMM Functional Block Diagram – SM8M72ALDT



Clock Wiring	
CK0	5 SDRAM
CK1	Termination
CK2	4 SDRAM+3.3 pf
CK3	Termination

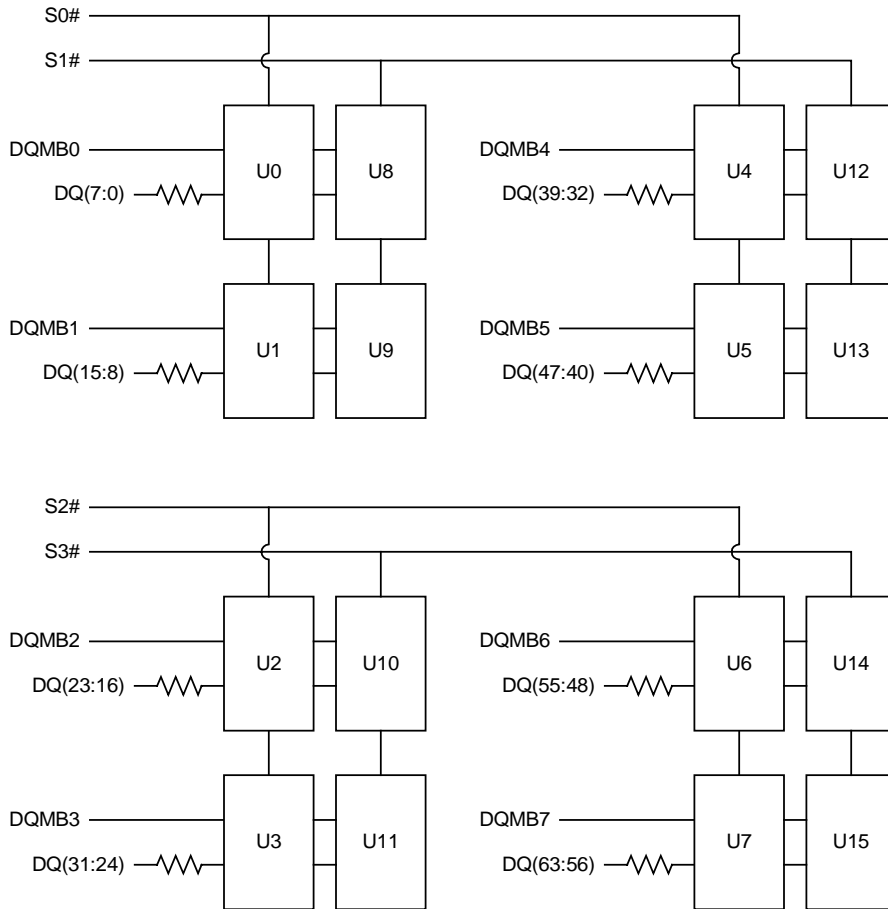


- BA0 → BA0 SDRAM U0-8
- BA1 → BA1 SDRAM U0-8
- A0-A11 → A0-A11 SDRAM U0-8
- Vdd → Vdd SDRAM U0-8
- Vss → Vss SDRAM U0-8

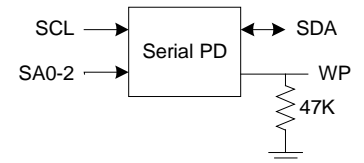
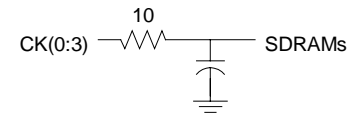
- RAS# → RAS# SDRAM U0-8
- CAS# → CAS# SDRAM U0-8
- WE# → WE# SDRAM U0-8
- CKE0 → CKE SDRAM U0-8

Note:
All DQ resistor values are 10 ohms.
All CK resistor values are 10 ohms.
U0-U8 are SM2603T.

128MB DIMM Functional Block Diagram – SM16M64ALDT



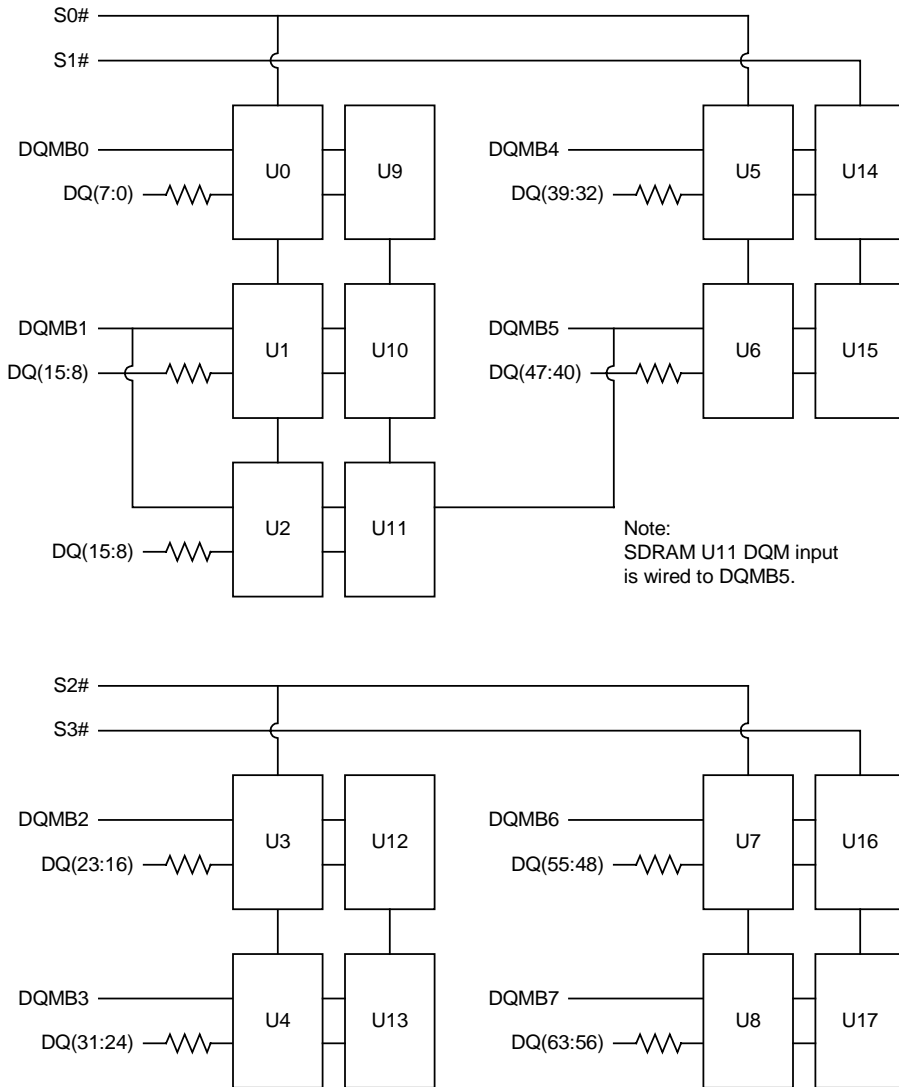
Clock Wiring	
CK0	4 SDRAM+3.3 pf
CK1	4 SDRAM+3.3 pf
CK2	4 SDRAM+3.3 pf
CK3	4 SDRAM+3.3 pf



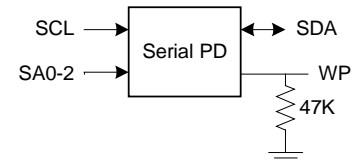
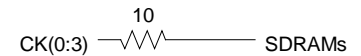
- BA0 → BA0 SDRAM U0-15
- BA1 → BA1 SDRAM U0-15
- A0-A11 → A0-A11 SDRAM U0-15
- Vdd → Vdd SDRAM U0-15
- Vss → Vss SDRAM U0-15
- RAS# → RAS# SDRAM U0-15
- CAS# → CAS# SDRAM U0-15
- WE# → WE# SDRAM U0-15
- CKE0 → CKE SDRAM U0-7
- CKE1 → CKE SDRAM U8-15

Note:
All DQ resistor values are 10 ohms.
All CK resistor values are 10 ohms.
U0-U15 are SM2603T.

128MB ECC DIMM Functional Block Diagram – SM16M72ALDT



Clock Wiring	
CK0	5 SDRAM
CK1	5 SDRAM
CK2	4 SDRAM+3.3 pf
CK3	4 SDRAM+3.3 pf



- BA0 → BA0 SDRAM U0-17
- BA1 → BA1 SDRAM U0-17
- A0-A11 → A0-A11 SDRAM U0-17
- Vdd → Vdd SDRAM U0-17
- Vss → Vss SDRAM U0-17
- RAS# → RAS# SDRAM U0-17
- CAS# → CAS# SDRAM U0-17
- WE# → WE# SDRAM U0-17
- CKE0 → CKE SDRAM U0-8
- CKE1 → CKE SDRAM U9-17

Note:
All DQ resistor values are 10 ohms.
All CK resistor values are 10 ohms.
U0-U17 are SM2603T.

Electrical Characteristics

Absolute Maximum Ratings

Description	Symbol	Value
Power Supply Voltage	V_{DD}	-1V to +4.6V
Voltage on any Pin with Respect to Ground	V_{IN}, V_{OUT}	-0.5V to +4.6V
Operating Temperature (ambient)	T_A	0°C to +70°C
Storage Temperature	T_{stg}	-55°C to +125°C
Power Dissipation	P_D	TBD
DC Output Current (I/O pins)	I_{OUT}	50mA

Stresses greater than those listed under Absolute Maximum Ratings may cause permanent damage to the device. This is a stress rating only, and the functional operation of the device at these, or any other conditions above those listed in the operational section of the specification, is not implied. Exposure to conditions at absolute maximum ratings for extended periods may affect device reliability.

DC Operating Conditions ($T_A = 0^\circ\text{C}$ to 70°C)

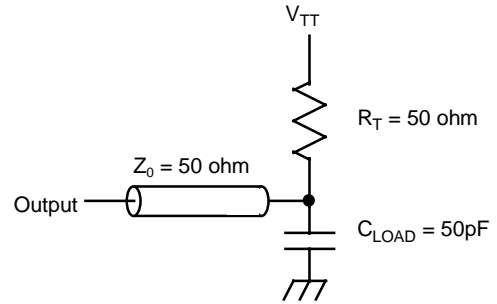
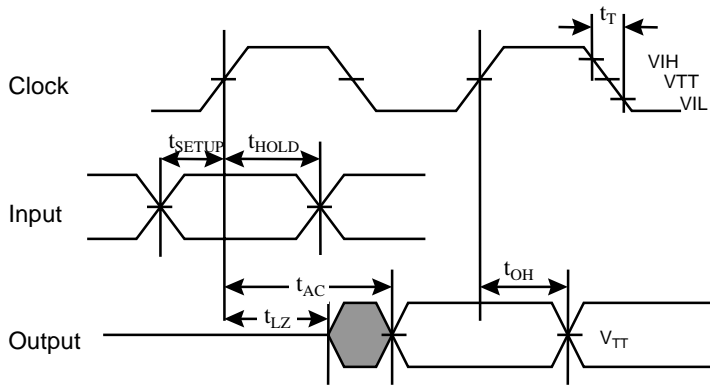
Symbol	Parameter	Min	Typical	Max	Units	Notes
V_{DD}	Supply Voltage	3.0	3.3	3.6	V	
V_{IH}	Input High Voltage	2.0	3.3	$V_{DD} + 0.3$	V	
V_{IL}	Input Low Voltage	-0.3	0.0	0.8	V	
$I_{I(L)}$	Input Leakage Current	-	-	± 1	μA	
$I_{O(L)}$	Output Leakage Current	-	-	± 1	μA	
V_{OH}	Output High Voltage ($I_{OUT} = -4\text{mA}$)	2.4	-	V_{DD}	V	
V_{OL}	Output Low Voltage ($I_{OUT} = +4\text{mA}$)	0.0	-	0.4	V	

Capacitance ($T_A = 25^\circ\text{C}$, $f = 1\text{MHz}$, $V_{DD} = 3.3\text{V} \pm 0.3\text{V}$, not 100% tested)

Symbol	Parameter	32MB	64MB		128MB		Units
		non-ECC	non-ECC	ECC	non-ECC	ECC	
C_{in1}	Input Capacitance (BA1, BA0, A0-11, RAS, CAS, WE)	32	52	57	92	102	pF
C_{in2}	Input Capacitance (S0 - S3)	18	27	32	27	32	pF
C_{in3}	Input Capacitance (CK0 - CK3)	30	33	36	33	36	pF
C_{in4}	Input Capacitance (CKE0, CKE1)	32	52	57	52	57	pF
C_{in5}	Input Capacitance (DQMB0-7)	14	14	14	19	19	pF
C_{in6}	Input Capacitance (SCL, SA0-2)	14	14	14	14	14	pF
$C_{I/O1}$	I/O Capacitance (SDA)	14	14	14	14	14	pF
$C_{I/O2}$	I/O Capacitance (DQ0-63, CB0-7)	10	10	10	16	16	pF

AC Characteristics ($T_A = 0^\circ\text{C}$ to 70°C)

1. An initial pause of $200\mu\text{s}$ is required after power-up, then a Precharge All Banks command must be given followed by a minimum of eight Auto (CBR) Refresh cycles before the Mode Register Set operation can begin.
2. AC timing tests have $V_{IL} = 0.8\text{V}$ and $V_{IH} = 2.0\text{V}$ with the timing referenced to the $V_{TT} = 1.4\text{V}$ crossover point.



AC Output Load Circuit

3. The transition time is measured between V_{IH} and V_{IL} (or between V_{IH} and V_{IL}).
4. AC measurements assume $t_T = 1\text{ns}$.
5. In addition to meeting the transition rate specification, the clock and CKE must transition V_{IH} and V_{IL} (or between V_{IH} and V_{IL}) in a monotonic manner.

AC Operating Conditions ($T_A = 0^\circ\text{C}$ to 70°C)

Clock and Clock Enable Parameters

Symbol	Parameter	-6		-7.5		Units	Notes
		Min	Max	Min	Max		
t_{CK2}	Clock Cycle Time, CL = 2, 3	6.0	-	7.5	-	ns	
t_{CK1}	Clock Cycle Time, CL = 1	12	-	15	-	ns	
t_{CKH2}, t_{CKL2}	Clock High & Low Times, CL=2, 3	2.4	-	2.8	-	ns	1
t_{CKH1}, t_{CKL1}	Clock High & Low Times, CL=1	5	-	6	-	ns	1
t_{CKES}	Clock Enable Set-Up Time	1.5	-	1.5	-	ns	
t_{CKEH}	Clock Enable Hold Time	0.8	-	0.8	-	ns	
t_{CKSP}	CKE Set-Up Time (Power down mode)	1.5	-	1.5	-	ns	
t_T	Transition Time (Rise and Fall)	-	2	-	3	ns	

Notes:

- Assumes clock rise and fall times are equal to 1ns. If rise or fall time exceeds 1ns, other AC timing parameters must be compensated by an additional $[(t_{rise}+t_{fall})/2-1]$ ns.

Common Parameters

Symbol	Parameter	-6		-7.5		Units	Notes
		Min	Max	Min	Max		
t_{CS}	Command and Address Set-Up Time	1.5	-	1.5	-	ns	
t_{CH}	Command and Address Hold Time	0.8	-	0.8	-	ns	
t_{RCD}	RAS to CAS Delay Time	12	-	15	-	ns	
t_{RC}	Bank Cycle Time	30	-	37.5	-	ns	
t_{RAS}	Bank Active Time	18	120K	22.5	120K	ns	
t_{RP}	Precharge Time	12	-	15	-	ns	
t_{RRD}	Bank to Bank Delay Time (Alt. Bank)	12	-	15	-	ns	
t_{CCD}	CAS to CAS Delay Time (Same Bank)	6	-	7.5	-	ns	
t_{MRD}	Mode Register Set to Active Delay	2	-	2	-	CLK	

Read and Write Parameters

Symbol	Parameter	-6		-7.5		Units	Notes
		Min	Max	Min	Max		
t _{AC3}	Clock Access Time, CL = 3	-	4.3	-	4.5	ns	1,2
t _{AC2}	Clock Access Time, CL = 2	-	4.6	-	4.8	ns	1,2
t _{AC1}	Clock Access Time, CL = 1	-	10.5	-	11	ns	1,2
t _{OH3}	Data Output Hold Time (CL=3)	2.0	-	2.0	-	ns	
t _{OH2}	Data Output Hold Time (CL=2)	2.3	-	2.3	-	ns	
t _{OH1}	Data Output Hold Time (CL=1)	3.0	-	3.0	-	ns	
t _{LZ}	Data Output to Low-Z Time	0	-	0	-	ns	
t _{HZ2}	Data Output to High-Z Time (CL=2, 3)	-	4.6	-	4.8	ns	3
t _{HZ1}	Data Output to High-Z Time (CL=1)	-	7.0	-	7.5	ns	3
t _{DQZ}	DQM Data Output Disable Time	2	-	2	-	CLK	
t _{DS}	Data Input Set-Up Time	1.5	-	1.5	-	ns	
t _{DH}	Data Input Hold Time	0.8	-	0.8	-	ns	
t _{DPL}	Data Input to Precharge	6.0	-	7.5	-	ns	
t _{DAL}	Data Input to ACTV/Refresh	20.0	-	22.5	-	ns	
t _{DQW}	Data Write Mask Latency	0	-	0	-	CLK	

Notes:

1. Access time is measured at 1.4V (LVTTTL) at max clock rate for the CAS latency specified. See AC Test Load.
2. Access time is based on a clock rise time of 1ns. If clock rise time is longer than 1ns, then (trise/2-0.5) ns must be added to the access time.
3. Referenced to the time at which the output achieves an open circuit condition.

Refresh Parameters

Symbol	Parameter	-6		-7.5		Units	Notes
		Min	Max	Min	Max		
t _{REF}	Refresh Period	-	64	-	64	ms	1,2
t _{SREX}	Self Refresh Exit Time	2CLK+t _{RC}		2CLK+t _{RC}		ns	3

Notes:

1. 4096 cycles.
2. Any time that the refresh period has been exceeded, a minimum of two Auto-Refresh (CBR) commands must be given to “wake up” the device.
3. Self-Refresh exit is a synchronous operation and begins on the 2nd positive clock edge after CKE returns high. Self-Refresh Exit is not completed until t_{RC} is satisfied once the Self-Refresh Exit command is registered.

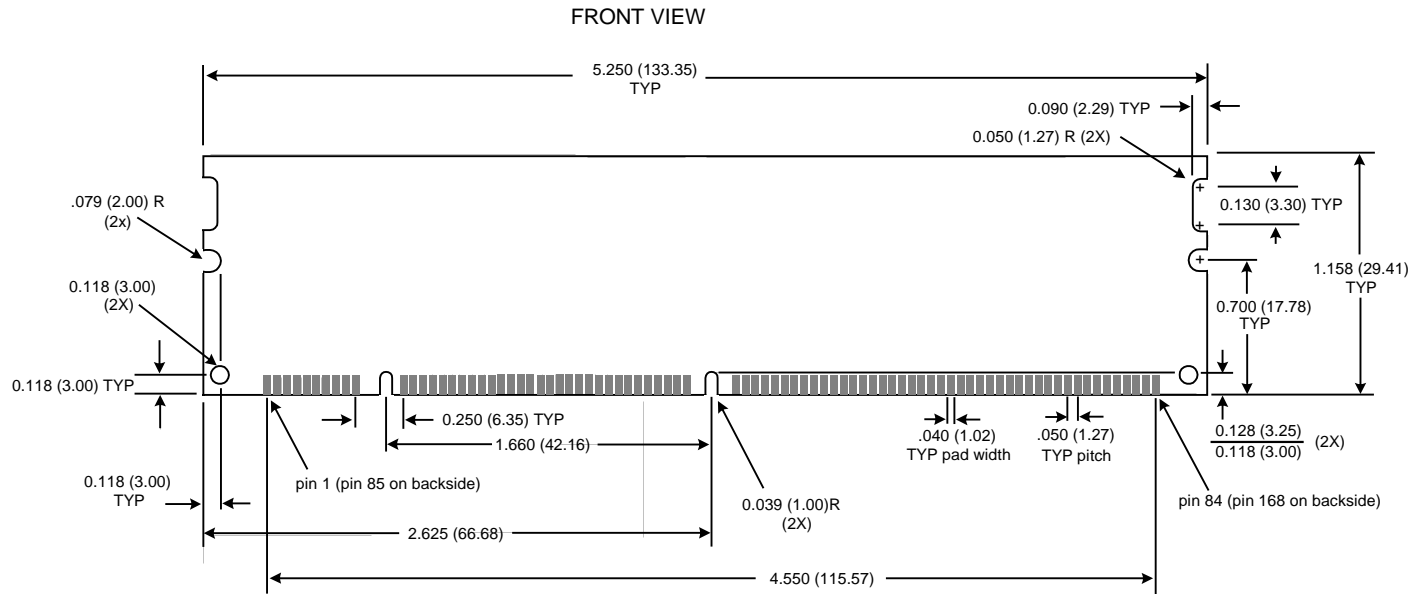
168-pin Low profile ESDRAM DIMMs
32MB, 64MB, 128MB

Serial Presence Detect (SPD) for ESDRAM DIMMs

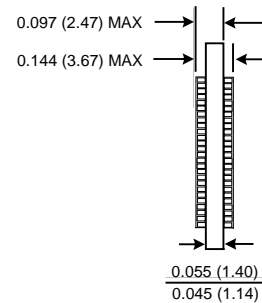
		32MB	64MB	128MB	32MB	64MB	128MB
Byte	Description				** Hex Code **		
0	Number of bytes written into EEPROM	128	128	128	80	80	80
1	Total number of SPD bytes	256	256	256	08	08	08
2	Memory Type	SDRAM	SDRAM	SDRAM	04	04	04
3	Number of Row Addresses	12	12	12	0C	0C	0C
4	Number of Column Addresses	8	9	9	08	09	09
5	Number of Module Banks	1	1	2	01	01	02
6	Module Data Width				40	40	40
	x64	x64	x64	x64		48	48
	x72		x72	x72			
7	Module Data Width (cont'd)	0	0	0	00	00	00
8	Voltage Interface Levels	LVTTTL	LVTTTL	LVTTTL	01	01	01
9	Cycle Time at max CAS Latency	6.0 ns	6.0 ns	6.0 ns	60	60	60
10	SDRAM Clock Access Time	4.3 ns	4.3 ns	4.3 ns	43	43	43
11	DIMM config (non-parity, parity, ECC)	--- Non-parity --- --- ECC ---			00	00	00
					02	02	02
12	Refresh Rate and Type	--- 15.625us / Self ---			80	80	80
13	Primary SDRAM Width	x16	x8	x8	10	08	08
14	Error Checking Data Width				00	00	00
	x64	N/A	N/A	N/A		08	08
	x72		x8	x8			
15	Min. CAS-to-CAS Delay (tCCD)	1 clk	1 clk	1 clk	01	01	01
16	Burst Lengths Supported	--- 1,2,4,8,Full Pg ---			8F	8F	8F
17	Number of Banks on SDRAM Device	4	4	4	04	04	04
18	CAS Latencies Supported	1,2,3	1,2,3	1,2,3	07	07	07
19	CS Latency	0	0	0	01	01	01
20	Write Latency	0	0	0	01	01	01
21	SDRAM Module Attributes	--- Unbuffered ---			00	00	00
22	SDRAM Device Attributes	+/-10% Vdd, Precharge All			07	07	07
23	Min. Clock Cycle Time at CL=2	6 ns	6 ns	6 ns	60	60	60
24	Clock Access Time at CL=2 (tAC2)	4.6 ns	4.6 ns	4.6 ns	46	46	46
25	Min. Clock Cycle Time at CL=1	12 ns	12 ns	12 ns	30	30	30
26	Clock Access Time at CL=1 (tAC1)	10.5 ns	10.5 ns	10.5 ns	2A	2A	2A
27	Min. Row Precharge Time (tRP)	12 ns	12 ns	12 ns	0C	0C	0C
28	Min. Row-to-Row Delay (tRRD)	12 ns	12 ns	12 ns	0C	0C	0C
29	Min. RAS-to-CAS Delay (tRCD)	12 ns	12 ns	12 ns	0C	0C	0C
30	Min. RAS Pulse Width (tRAS)	18 ns	18 ns	18 ns	12	12	12
31	Density of each bank on module	32MB	64MB	64MB	08	10	10
32	Cmd/Addr input set-up time	1.5 ns			15	15	15
33	Cmd/Addr input hold time	0.8 ns			08	08	08
34	Data input set-up time	1.5 ns			15	15	15
35	Data input hold time	0.8 ns			08	08	08
36-60	Superset Information	-	-	-	00	00	00
61	Superset Information (cont'd)	ESDRAM defined for Code=01			01	01	01
62	SPD Rev.	1.2			12	12	12
63	Checksum for bytes 0-62				44	45	46
	non-ECC	-	-	-		57	58
	ECC						
64-71	JEDEC ID code	Enhanced Memory Systems			7F32FFFFFFFFFFFF		
72	Manufacturing Location	-	-	-	xxxx	xxxx	xxxx
73-90	Manufacturer's Part #				xxxx	xxxx	xxxx
	x64	SM4M64ALDT	SM8M64ALDT	SM16M64ALDT		xxxx	xxxx
	x72		SM8M72ALDT	SM16M72ALDT			
91,92	PCB Rev. Code	-			rrrr	rrrr	rrrr
93,94	Manufacturing Date	yyww code			yyww	yyww	yyww
95-98	Assembly Serial #	serial number			ssss	ssss	ssss
99-125	Manufacturer's Specific Data	open			00	00	00
126	Intel specification frequency	100MHz			64	64	64
127	Intel specification CL and clock support	-	-	-	AF	AF	FF
128-255	Open for Customer Use	-	-	-	00	00	00

Mechanical Drawing

**168 - pin
Low Profile DIMM**



Dimensions: inches (mm)



Revision Log

Revision	Date	Summary of Changes
1.0	3/16/01	First Draft

Ordering Information

Part Number	Capacity	I/O Width	I/O Type	Package	Power Supply	Maximum Operating Frequency (MHz)
SM4M64ALDT-6	32 MB	x64	LVTTL	168-pin DIMM	3.3V	166
SM4M64ALDT-7.5	32 MB	x64	LVTTL	168-pin DIMM	3.3V	133
SM8M64ALDT-6	64 MB	x64	LVTTL	168-pin DIMM	3.3V	166
SM8M64ALDT-7.5	64 MB	x64	LVTTL	168-pin DIMM	3.3V	133
SM8M72ALDT-6	64 MB	x72	LVTTL	168-pin DIMM	3.3V	166
SM8M72ALDT-7.5	64 MB	x72	LVTTL	168-pin DIMM	3.3V	133
SM16M64ALDT-6	128 MB	x64	LVTTL	168-pin DIMM	3.3V	166
SM16M64ALDT-7.5	128 MB	x64	LVTTL	168-pin DIMM	3.3V	133
SM16M72ALDT-6	128 MB	x72	LVTTL	168-pin DIMM	3.3V	166
SM16M72ALDT-7.5	128 MB	x72	LVTTL	168-pin DIMM	3.3V	133